

2004 SONY MOBILE PRODUCT GUIDE



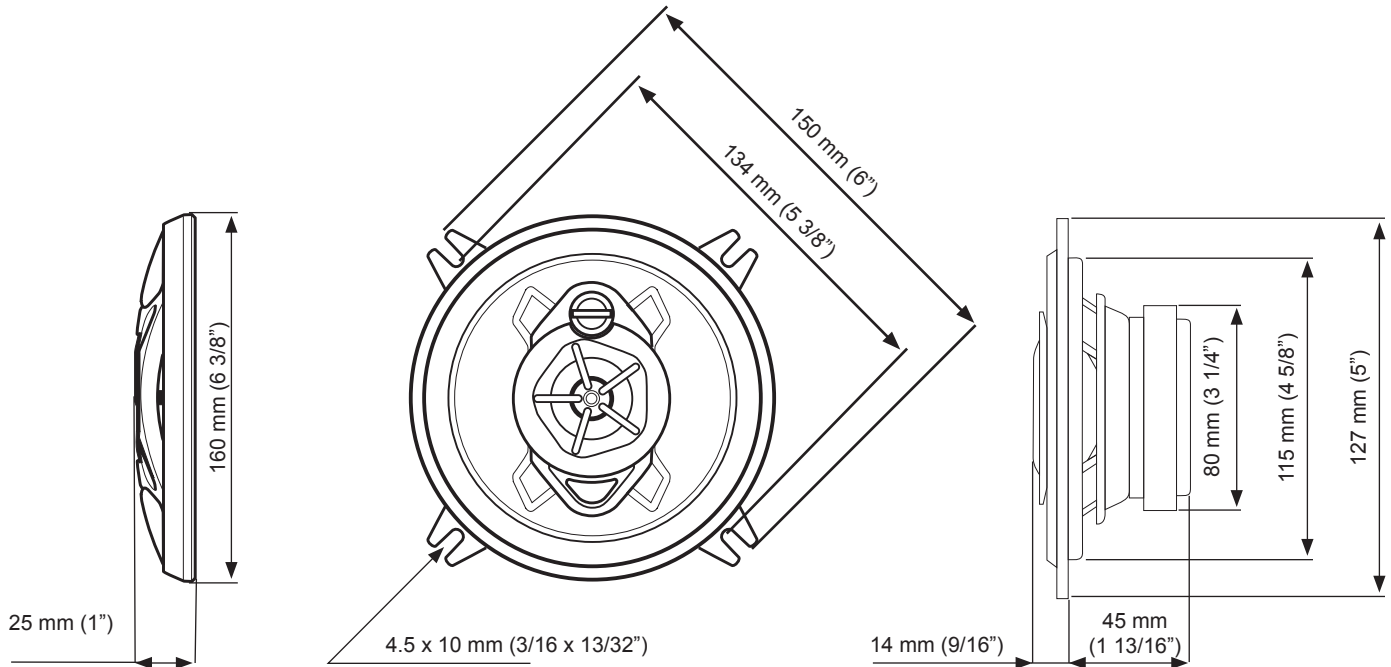
XS-V1340H 3-Way Speaker

- 5-1/4" HOP woofer cone
- 1-3/16" Nano-fine mid
- 7/16" dome tweeter
- 200W peak power (50W RMS)
- Flexible mounting options

Specifications

Speaker	Coaxial 3-way Woofer 13cm (5 1/8 in.) cone type Midrange 3.0 cm (1 3/16 in.) balance dome type Tweeter 1.1 cm (13/32 in.) dome type
Peak Power	200 watts
Rated Power	50 watts
Impedance	4 ohms
Sensitivity	90 dB/W/m
Frequency response	40 - 30,000 Hz
Mass	Approx. 670 g (1 lb 8 oz) per speaker

Dimensions



Design and Specifications subject to change without notice.

SONY